

4

3

2

1

THIS DRAWING IS UNPUBLISHED.
DIFFUSION RESEINTE AMP

RELEASED FOR PUBLICATION

.19

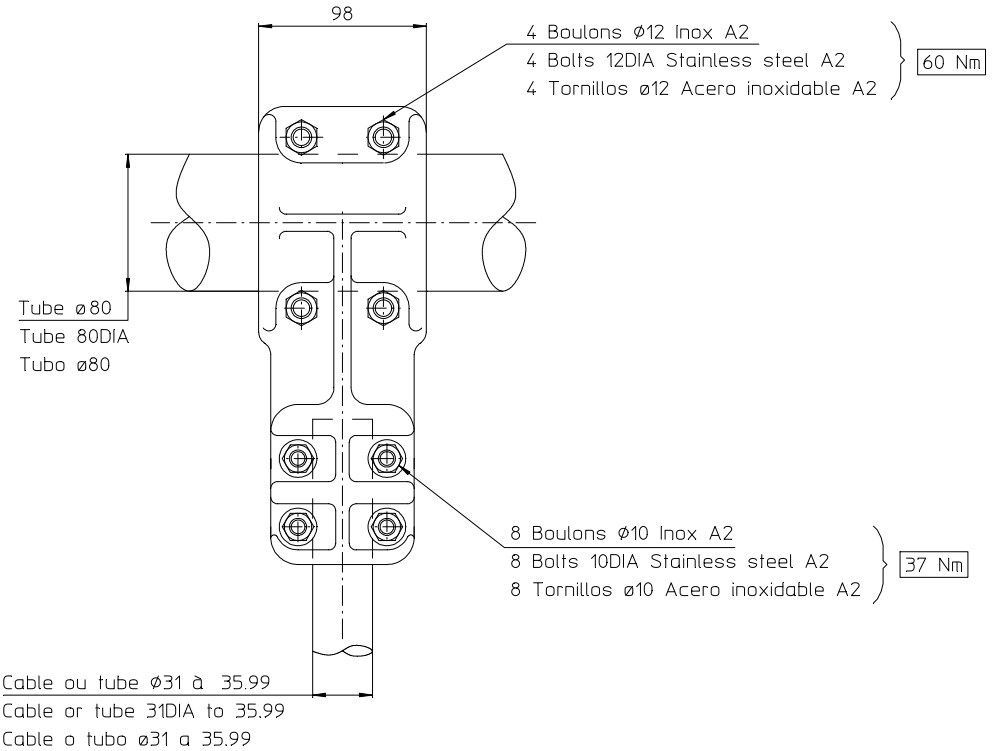
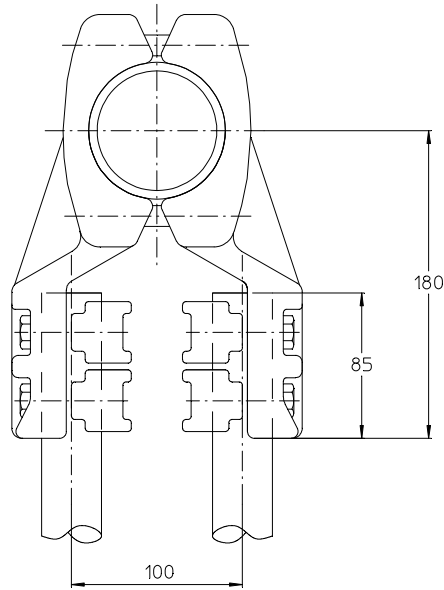
© COPYRIGHT 1997

BY AMP INCORPORATED. ALL RIGHTS RESERVED.
TOUS DROITS RESERVES

LOC DIST
FH 2

REVISIONS

P	LTR REV	DESCRIPTION MODIFICATIONS	DATE	DWN DESS.	APVD APP.
0		EQ00-0189-01	17-May-01	EN	HV



<small>THIS DRAWING IS A CONTROLLED DOCUMENT FOR AMP INCORPORATED. IT IS SUBJECT TO CHANGE AND THE CONTROLLING ENGINEERING ORGANIZATION SHOULD BE CONTACTED FOR THE LATEST REVISION. CE PLAN EST UN DOCUMENT CONTROLÉ PAR AMP INCORPORATED. IL EST SUSCEPTIBLE D'ÊTRE REVISÉ, CONTACTER LE SERVICE TECHNIQUE D'AMP SIMEL POUR OBTENIR LA DERNIÈRE REVISION.</small>		DWN /DESSINE 17-May-01 NIVOIS CHK /VERIFIE 17-May-01 ROYER		AMP AMP-SIMEL 21220 Gevrey Chambertin FRANCE	
DIMENSIONS: mm		TOLERANCES UNLESS OTHERWISE SPECIFIED PER TOLERANCES NON SPECIFIEES SELON : -		APVD /APPROUVE VIAL PRODUCT SPEC SPEC. PRODUIT 02BFC0031 APPLICATION SPEC SPEC. APPLICATION -	
		NAME TITRE T 82 A 80 35 E100		SIZE FORMAT A3	
MATERIAL MATIERE -		FINISH FINITION -		CAGE CODE 00779 DRAWING NO No PLAN ©=1510546 RESTRICTED TO RESERVE A -	
		WEIGHT MASSE APPROX. 3.9 KG		UNQUEMENT FOUR REFERENCE SCALE ECHELLE 1/3 SHEET FEUILLE 1 OF 1 DE 1 REV 0	
		CUSTOMER DWG / PLAN CLIENT			

ITEM:

